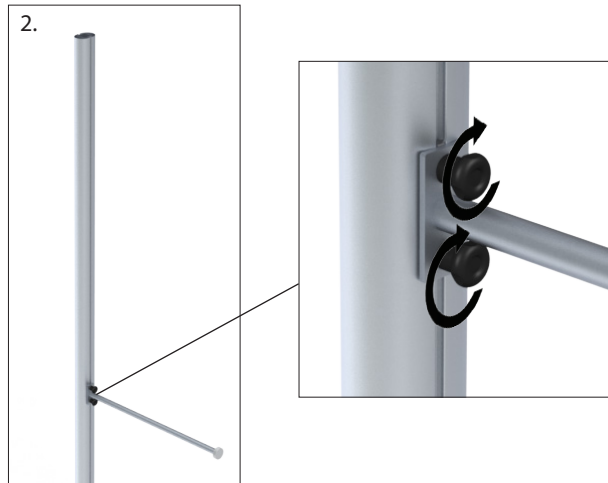
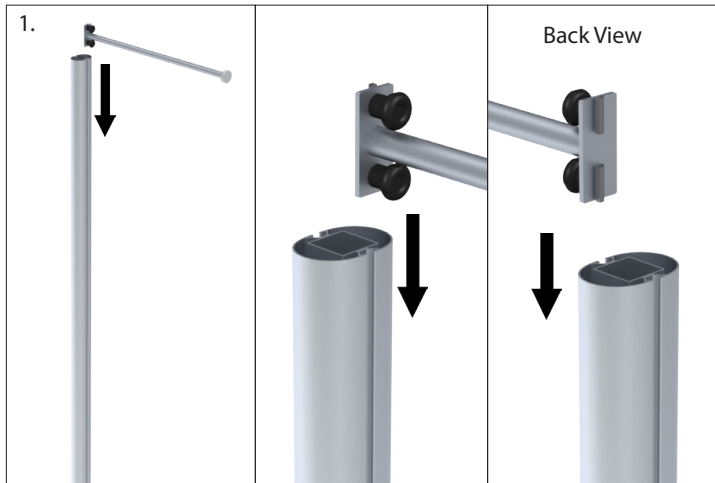


# SignPost System™ - Graphic Rod - CRGR and Costumer Arm - CRUM Series

1. Insert the glide screws of the lower graphic rod into the channel of the upright.
2. Slide the rod downward to the desired location, then tighten the knobs to secure the position of the rod.
3. Insert the glide screw of the upper graphic rod into the channel of the upright.
4. Slide the rod downward to the desired location, then tighten the knobs to secure the position of the rod.
5. Unscrew the end puck of the graphic rods.
6. Slide the graphic over the rods.
7. Reconnect the end puck of the graphic rods.



CRGR1 shown

CRUM2 shown

